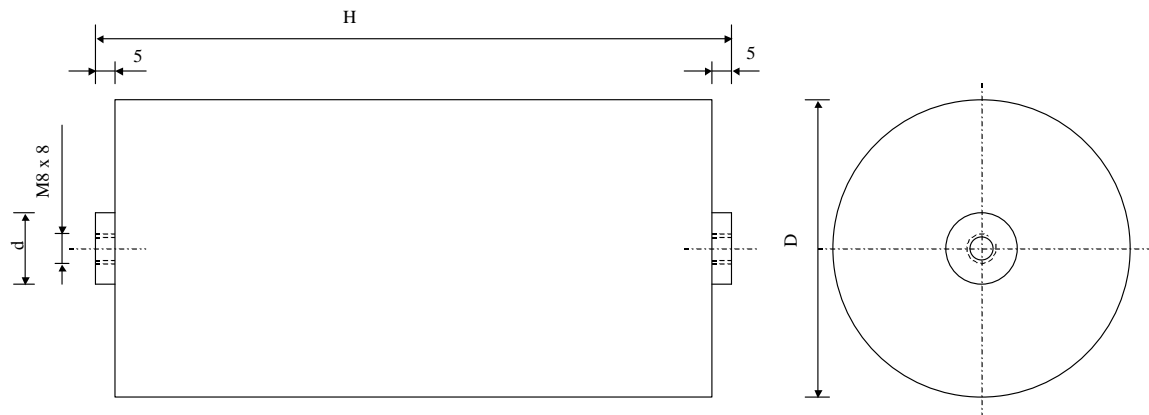


#6005

High Voltage Capacitors

PPM 3400-112 uv K

## PRELIMINARY



Dielectric of metallized polypropylene - Plastic tube

Polyurethane resin end sealing - Threaded outputs

| Parameter                                    | Symbol      |       | Value        | Unit               | Condition       |
|--|-------------|-------|--------------|--------------------|-----------------|
| Capacitance                                  | C           |       | 0.012        | $\mu\text{F}$      | 1 V / 1 kHz     |
| Tolerance                                    |             |       | $\pm 10$     | %                  |                 |
| Rated voltage ( positive and negative )      | Un DC       | $\pm$ | 34'000       | VDC                |                 |
| Rated voltage                                | Un AC       |       | 3500         | VRMS               | 50 Hz to 5 kHz  |
| Maximum Voltage                              | U max       |       | $\pm 38'000$ | VDC                |                 |
| Impulse current                              | $I^2t$      |       | < 2.0        | A <sup>2</sup> s   |                 |
| Tangent delta                                | tg $\delta$ |       | 10           | 10-4               | 1 V / 1 kHz     |
| Equivalent serie resistance                  | ESR         |       | $\leq 300$   | m $\Omega$         | 1 MHz           |
| Stray inductance                             | ESL         |       | $\leq 300$   | nH                 |                 |
| Insulation resistance                        | Ri          |       | > 100'000    | M $\Omega$         | 500 VDC - 1 min |
| Test voltage between terminals               | U T1        |       | + 52'000     | VDC                | 1 h.            |
| Test voltage between terminals               | U T1        |       | - 52'000     | VDC                | 1 h.            |
| Lightning Impulse ( 1.2 / 50 $\mu\text{s}$ ) | V cr.       |       | + 94         | kV                 | 10 x            |
| Lightning Impulse ( 1.2 / 50 $\mu\text{s}$ ) | V cr.       |       | - 94         | kV                 | 10 x            |
| Operating Temperature                        |             |       | -40 / + 70   | $^{\circ}\text{C}$ |                 |

| Dimension | Symbol          |            |               | Unit | Conditions |
|-----------|-----------------|------------|---------------|------|------------|
| Diameter  | $\varnothing D$ |            | 110           | mm   |            |
| Height    | H               |            | 340           | mm   |            |
| Terminals |                 |            |               |      |            |
| Thread    |                 |            | M8 x 8        | mm   |            |
|           | $\varnothing d$ |            | 22            |      |            |
|           | M1              |            |               |      |            |
|           | M0              | 19.04.2011 | HJJ           |      |            |
|           | Modification    | Date       | Visa émetteur |      |            |

Condensateurs CH 1400 Yverdon, Switzerland  
 Kondensatoren Tel.: ++41 24 445 66 88  
 Capacitors Fax: ++41 24 445 66 89

**Lectranché**  
**Capacitors**  
A FISCHER & TAUSSCHE COMPANY

HJJ

www.Lcap.ch  
 17.02.2011

capinfo@Lcap.ch  
 faisab6005.XLS