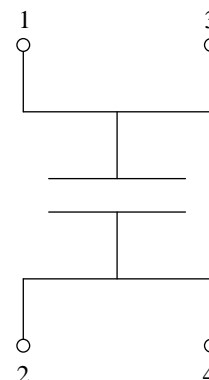
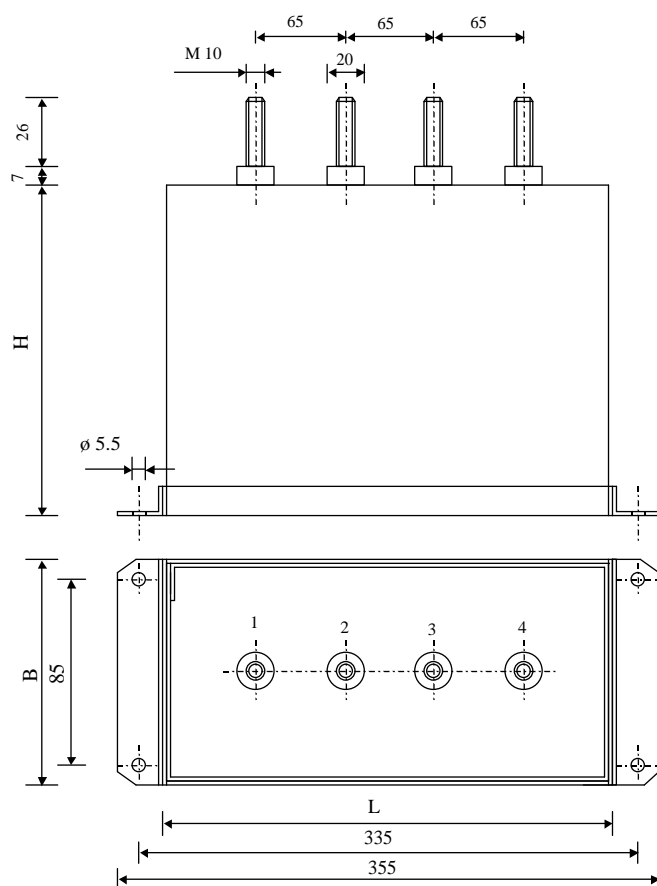


#6167

Metallized polypropylene capacitors

PPM 46-5500.0 r K



Dielectric of metallized polypropylene

Threaded outputs

Resin end sealing

Aluminium case
thick 1.2 mm

Parameter	Symbol		Value	Unit	Condition
Capacitance	C		5500	μF	1 V / 100 Hz
Tolerance			± 10	%	
Rated voltage	$U_n \text{ DC}$		460	VDC	
Surge voltage	U_s		650	VDC	10 ms / 20 x / Day
current	$I \text{ cr. max}$		10'000	A	
current	$I \text{ RMS}$		240	A	1 kHz
Equivalent serie resistance	ESR		≤ 0.72	$\text{m}\Omega$	1 kHz
Stray inductance	ESL		≤ 40	nH	
Insulation resistance	$R_i \times C$		$> 30'000$	s	300 VDC - 1 min
Test voltage between terminals	$U \text{ T1}$		736	VDC	10 s
Test voltage between terminals to case	$U \text{ T2}$		2'500	VAC	50 Hz - 1 min
Operating temp.			$- 40 / + 70 \text{ }^\circ\text{C}$		
Estimated operational life (-5 %)			300'000	h	$U_n \text{ DC} / 80^\circ\text{C}$
Dimension	Symbol			Unit	Conditions
Width			113	mm	
Length			315	mm	
Height			225	mm	
Thread (4 x)			M10 x 26	mm	
	M1				
	M0				
	Modification	Date	Visa émetteur		

Condensateurs CH 1400 Yverdon, Switzerland
 Kondensatoren Tel.: ++41 24 445 66 88
 Capacitors Fax: ++41 24 445 66 89

Leclanché
Capacitors
A FISCHER & TAUSSCH COMPANY

HJJ

www.Lcap.ch
12.03.2013capinfo@Lcap.ch
faisab6167.XLS