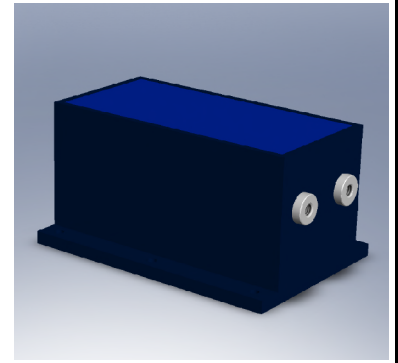
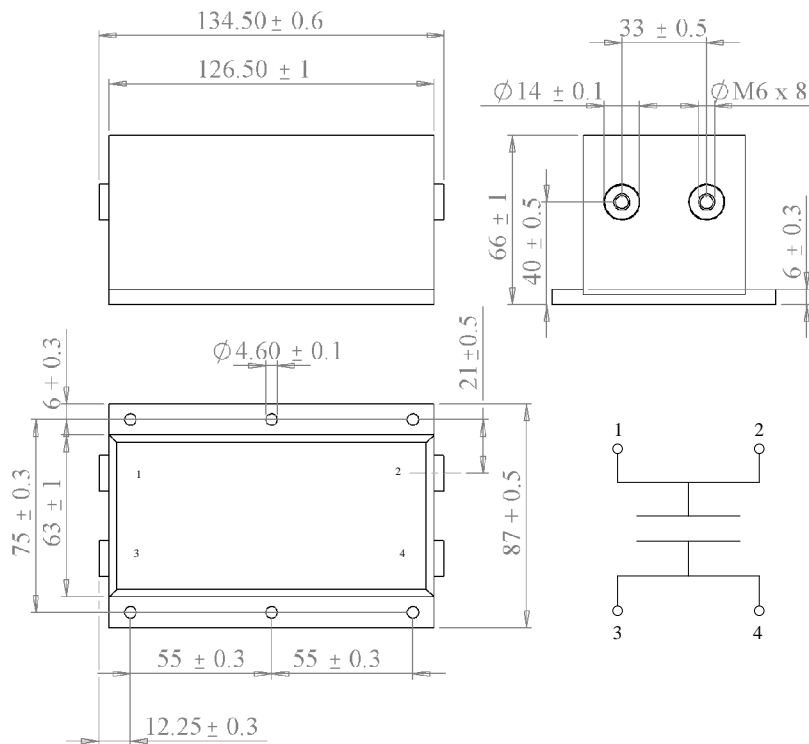


#5983

METALLIZED POLYPROPYLENE CAPACITORS

PPM-4 65-110.0 ru K



Dielectric  
polypropylene metallized

Plastic case

polyurethan resin filled

Parameter	Symbol	Value	Unit	Condition
Capacitance	C	110	µF	1 V / 1 kHz
Tolerance		± 10	%	
Rated voltage	Un DC	650	VDC	
Overtoltage	U peak	725	V	500 ms
Current	I RMS	90	A	30 kHz
slope of voltage variation	du/dt max.	35	V/µsec	
Repetitive surge current	I cr. max	3850	A	
Tangent delta	tgδ	1C	1C <sup>4</sup>	1 V / 1 kHz
Equivalent Serie Resistance	ESR	< 1.2	mΩ	1 V / 30 kHz
Stray inductance	ESL	≤ 45	nH	
Test voltage between terminals	U T	1'040	VDC	1 min
Estimated operational life T amb. 75°C		60'000	h	90 A RMS / 30 kHz
Maximal Hot spot temperature		110	°C	

Dimension	Symbol	Value	Unit	Conditions
Width	B	63	mm	
Height	H	66	mm	
Length	L	126.5	mm	
Terminals				
Thread ( 4 x )		M 6 x 8	mm	
Thread spacing	RM	33	mm	

	M1			
	M0	30.11.2010	HJJ	
	Modification	Date	Visa émetteur	

Condensateurs CH 1400 Yverdon, Switzerland  
Kondensatoren Tel.: ++41 24 445 66 88  
Capacitors Fax: ++41 24 445 66 89

**Lecdanché**  
Capacitors  
A FISCHER & TAUSSIG COMPANY

HJJ

www.Lcap.ch  
25.11.2010

capinfo@Lcap.ch  
faisab5983.XLS