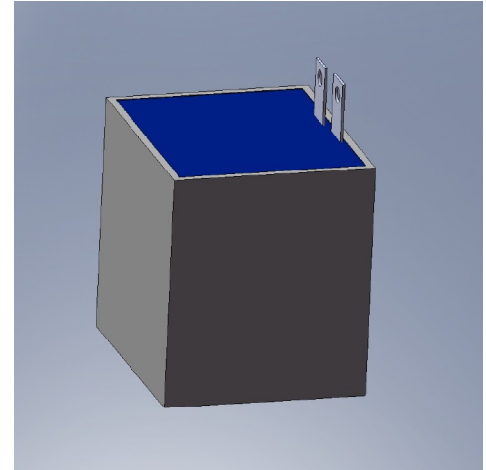
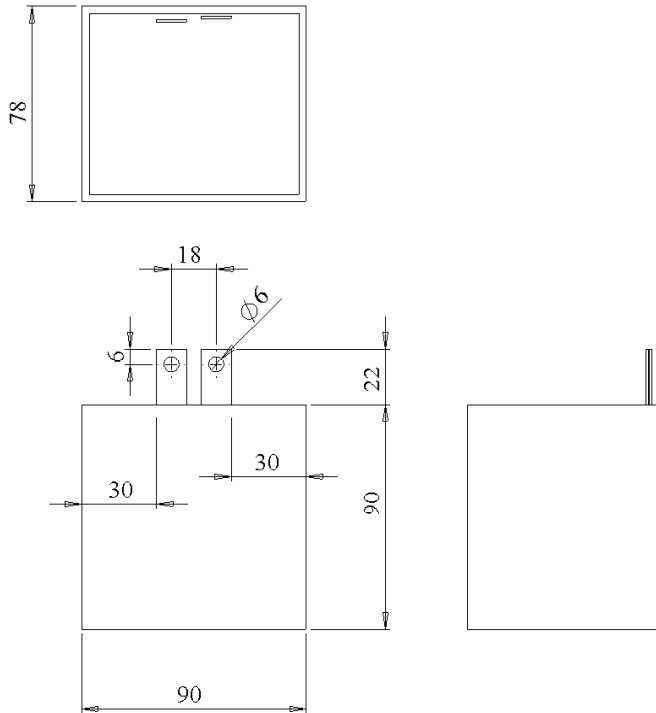


#5852

METALLIZED POLYPROPYLENE CAPACITORS

PPM 80-135.0 ru K

PRELIMINARY

Dielectric
polypropylene metallized

Plastic case

polyurethan resin filled

Parameter	Symbol		Value	Unit	Condition
Capacitance	C		135	μF	1 V / 1 kHz
Tolerance			± 10	%	
Rated voltage	Un DC		800	VDC	
Rated voltage	Un AC			VAC	50 Hz
Current	I RMS		55	A	20 kHz
slope of voltage variation	du/dt max.			V/ μsec	
Repetitive surge current	I cr. max			A	
Tangente delta	tg δ			10^{-4}	1 V / 1 kHz
Equivalent Serie Resistance	ESR			m Ω	1 V / 20 kHz
Stray inductance	ESL		< 11	nH	
Test voltage between terminals	U T			VDC	1 min
Estimated operational life (-3%)				h	Un DC / 70°C
Dimension	Symbol			Unit	Conditions
Width	B		90	mm	
Height	H		90	mm	
Length	L		78	mm	
Terminals					
Tinned cooper 6 x			12 x 1.0	mm	
	M1				
	M0				
	Modification	Date	Visa émetteur		

Condensateurs CH 1400 Yverdon-les-Bains
 Kondensatoren Tel.: ++41 24 445 66 88
 Capacitors Fax: ++41 24 445 66 89

Le lanché
Capacitors
A YFONNEN & SAUBOISE COMPANY

HJJ

17.09.2009

faisab5852.XLS