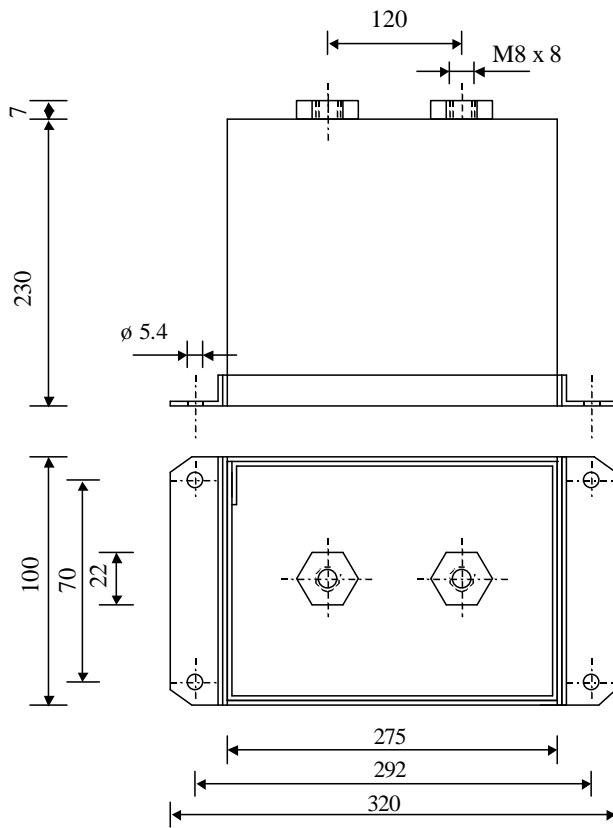


#5755

## Power Capacitors

PPM 100-3000.0 r K



Dielectric of metallized polypropylene

Threaded outputs

Resin end sealing

Aluminium case thick 1.2 mm

Parameter	Symbol	Value	Unit	Condition
Capacitance	C	3000	$\mu\text{F}$	1 V / 1 kHz
Tolerance		$\pm 10$	%	
Rated voltage	Un DC	1'000	VDC	
Surge voltage	Us	1'600	V	10 ms
RMS Current permanent	I <sub>eff max.</sub>	30	A <sub>eff</sub>	50 Hz - 10 kHz
Surge current	I <sub>cr. max</sub>	7'000	A	
Equivalent serie resistance	ESR	$\leq 4$	m $\Omega$	10 kHz
Stray inductance	ESL	$\leq 200$	nH	
Insulation resistance	Ri x C	$> 20'000$	s	500 VDC - 1 min
Test voltage between terminals	U T1	2'000	VDC	10 s
Test voltage between terminals to case	U T2	2'500	VAC	50 Hz - 1 min
Operating temp.		- 25 / + 70 °C		
Estimated operational life (-3%)		$> 30'000$	h	1000 VDC / 55 °C
Dimension	Symbol	Value	Unit	Conditions
Width	B	100	mm	
Length	L	275	mm	
Height	H	230	mm	
Thread		M8 x 8	mm	
Thread spacing		120	mm	
	M1			
	M0			
	Modification	Date	Visa émetteur	

Condensateurs CH 1401 Yverdon-les-Bains  
 Kondensatoren Tel.: ++41 24 445 66 88  
 Capacitors Fax: ++41 24 445 66 89

**Le lanché**  
**Capacitors**  
A FROBNER & THOMAS COMPANY

HJJ

08.10.2008

faisab5755.XLS