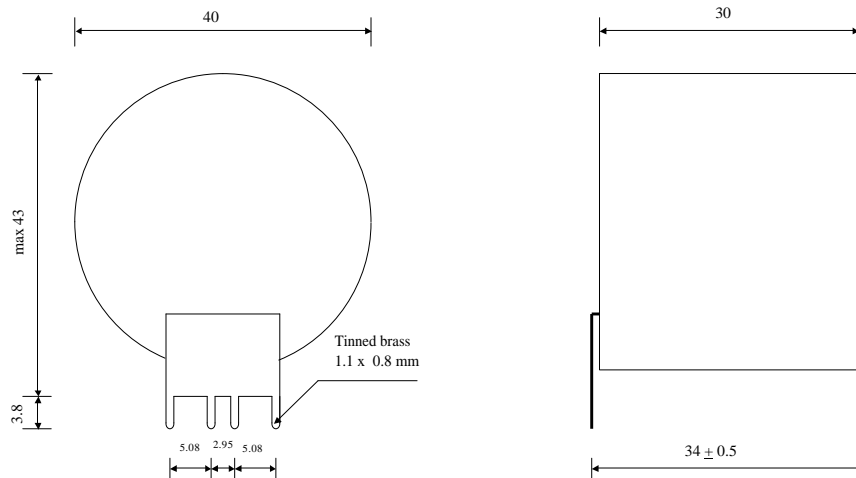


#5657

METALLIZED POLYPROPYLENE CAPACITORS

PPMCI 100-016 J



Dielectric of metallized polypropylene

Polyester wrapped / Epoxy resin sealing

Terminals for connection to printed board

Parameter	Symbol		Value	Unit	Condition
Capacitance	C		0.16	μF	1 V / 1 kHz
Tolerance			± 5	%	
Rated voltage	Un DC		1000	VDC	
Rated voltage	Un AC		600	Veff	
Operating conditions 50 kHz	Ieff		30	Aeff	5 s on / 12 s off
slope of voltage variation	du/dt max.		1000	V/μsec	
Tangent delta	tgδ		4	10 ⁻⁴	1 V / 1 kHz
Tangent delta	tgδ		4	10 ⁻⁴	1 V / 10 kHz
Stray inductance	ESL		≤ 10	nH	
Insulation resistance	Ri		> 100'000	MΩ	500 VDC - 1 min
Test voltage between terminals	U T1		2500	VDC	10 s
Operating temp.			- 25 / + 85 °C		
Estimated operational life (-3%)			100000	h	With above operating conditions
Dimension	Symbol			Unit	Conditions
Diameter	∅		40	mm	
Height	H		30	mm	
Terminals					
Tinned brass	(8 x)		1.1 x 0.8	mm	
	M1				
	M0				
	Modification	Date	Visa émetteur		

Condensateurs CH 1400 Yverdon-les-Bains
 Kondensatoren Tel.: ++41 24 445 66 88
 Capacitors Fax: ++41 24 445 66 89

Le laniché
Capacitors
A FISCHER & TALSCHER COMPANY

HJJ

16.04.2007

faisab5657.XLS